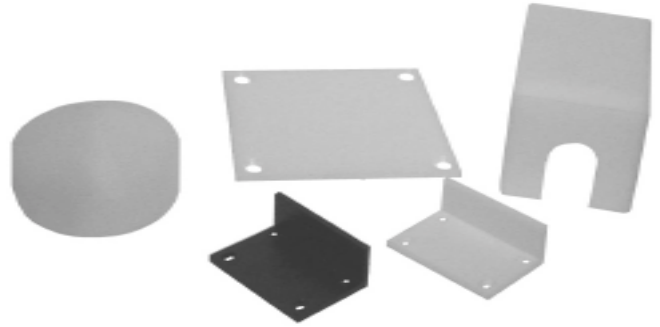


Covers, Shields, Face Plates & Deflectors

Simple steps to help protect your sensors- SoftNoze offers a complete series of protective covers, faces and material deflectors to insure your sensors avoid damage that leads to costly replacement expenses and downtime. Stop abrasion and debris build up to increase the reliability of sensors in harsh manufacturing environments.

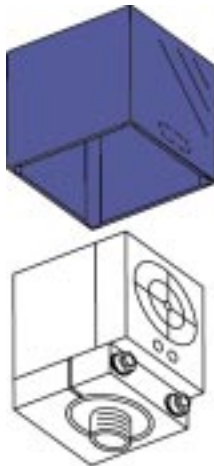


Features

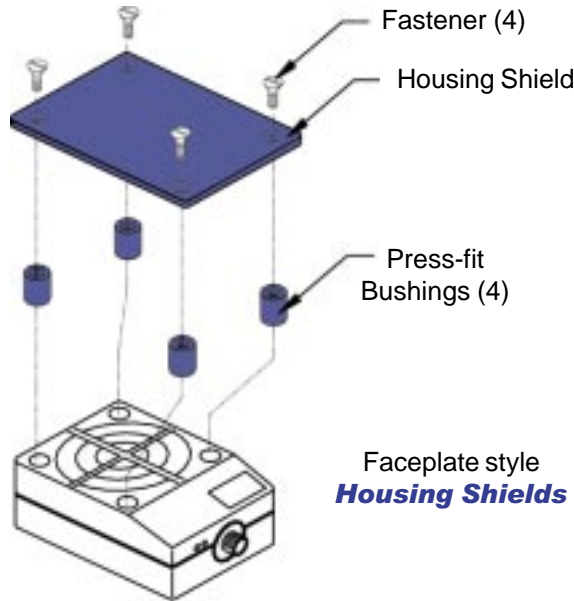
- Offers an abrasion and or solvent resistant surface(s)
- Wide variety of styles and sizes
- Fabricated from various material types

Benefits

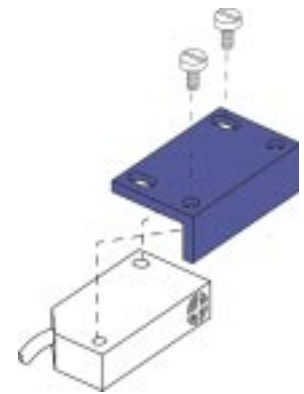
- Eliminates abrasion and or corrosion damage
- Ends downtime and replacement expenses
- Increases sensor reliability and operating life



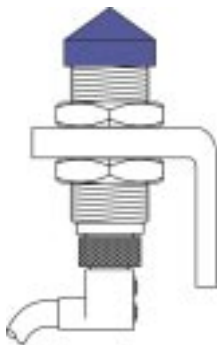
Teflon® Press fit
Housing Covers



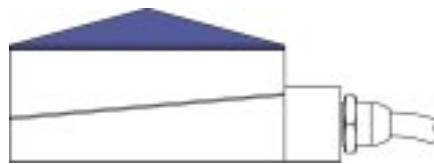
Faceplate style
Housing Shields



Angled style
Housing Shields



Thread-on
Material Deflectors



Adhesive-backed
Material Deflectors



Brass thread-on
Housing Shields

Ordering: Too many models to show here, please call for specification sheets. Please be ready to offer the sensor's model number and brand, as well as a description of the operating environment. Or, see pages 42 and 43 for further information on submitting application specific requirements to SoftNoze.